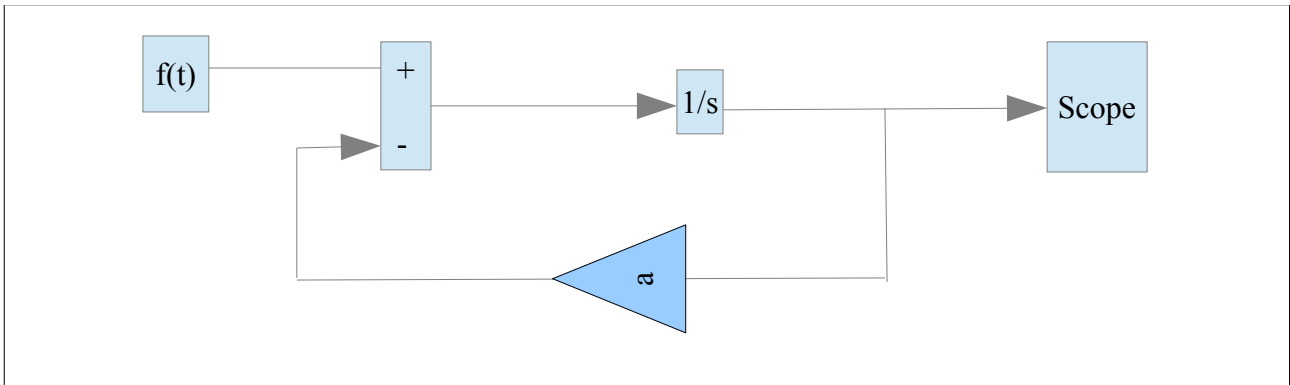
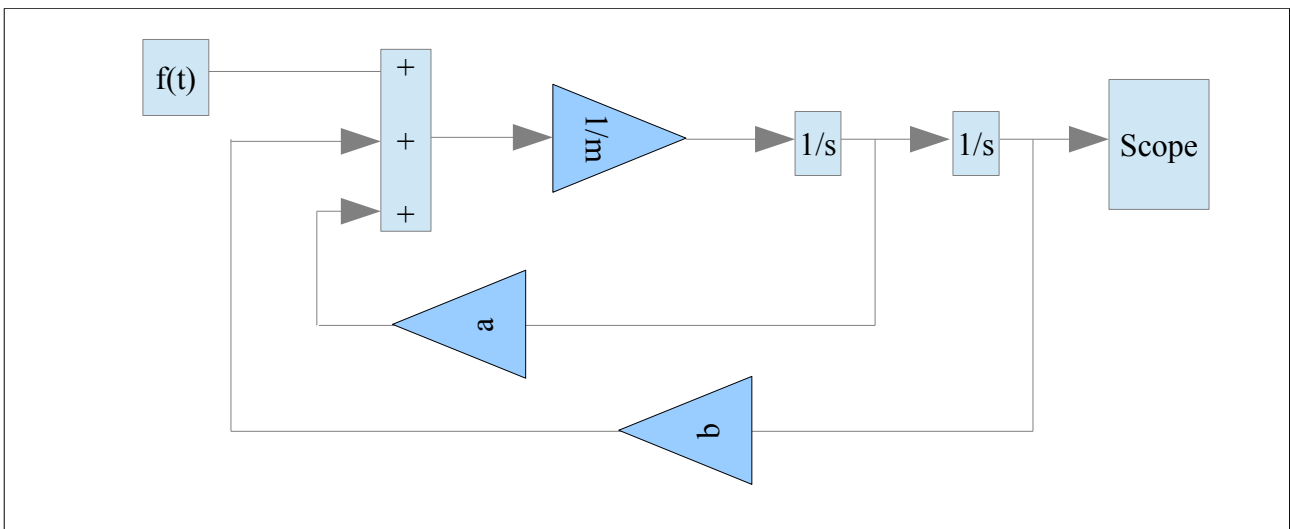


Simulink Cheat Sheet

$$\dot{y} = f(t) - ay$$



$$\ddot{y} = \frac{1}{m}(f(t) + ay + by)$$



Bsp aus Übung: $\dot{y} = \frac{1}{m}(f(t) - ay)$

